

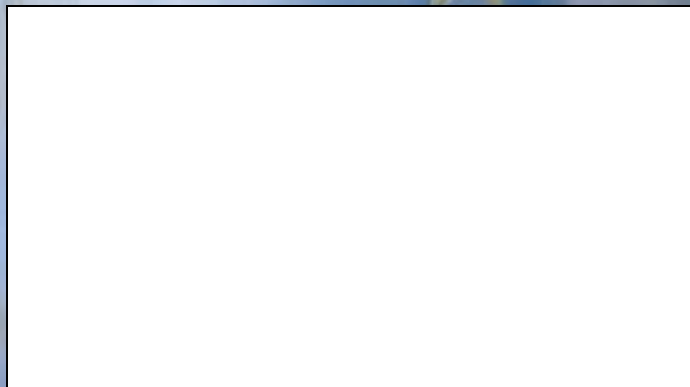


321 Industrial Drive
Bean Station, TN 37708
(800) 852-0345
www.Dual-TechInc.com

8 Ton Twin Line by Dual-Tech, Inc



For More Info Contact:



High-Quality, Low-Maintenance & Built Stronger Than It Has To Be...





321 Industrial Drive
 Bean Station, TN 37708
 (800) 852-0345
www.Dual-TechInc.com

8 Ton Twin Line Series Features

- 7,500 lb. Towing Capacity
- 4,000 lb. Lift Rating
- 3,000 lb. Power Tilt
- 22-degree Positive Tilt
- 28-degree Negative Tilt
- 8,000 lb. Dual Wenches



Standard Equipment

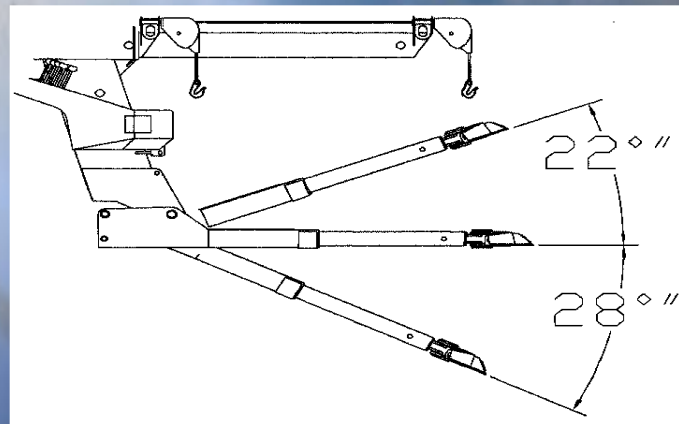
- | | | |
|--|---------------------------------------|--------------------|
| 60" Cab to Axle | Center Section painted black | 88" Wide Body |
| Twin Cylinder w/Check Valves | Aluminum Diamond Deck Center Controls | Oil Filter |
| Dual-Tech Self Loader Head | Rear Safety Chains | Back-Up Alarm |
| Rubber Fender Extensions | 4-Prong Tow Light Socket | Steel Pylon |
| 2 Side Tool Boxes (33"W x 27"L) | Mounting Brackets | Mud Flaps |
| Standard Lighting Package | 2 Year Manufacturer's Warranty* | Tag Bracket |
| Lower Work Lights | Extendable Boom | 3/16 Aluminum Body |
| Boom Hydraulic Assembly power up & down with negative tilt | | |
| Dual 8 Ton Wenches | | |

*Warranty on Dual-Tech Manufactured Items only - other components warranted by their respective manufacturer(s)



Optional Equipment

- Low-Profile 84" Body with Small Tunnel Box & Double Side Doors
- 24" Tunnel Box for US Chassis (20" Tunnel Box for Import Chassis)
- LED Lighting Kit (4 Taillights, 4 Side Marker Lights & DOT Strip)
- Aluminum Diamond Deck Chain Caps
- Diamond Deck Dress Kit For Pylon
- High Gloss Sherwin Williams Paint
- Flip-Down Brackets for Light Bar
- Drag Wench
- Work Lights for Pylon
- Trailer Hitch
- Installation
- Clutch Pump
- Optional Paint



High-Quality, Low-Maintenance & Built Stronger Than It Has To Be...

